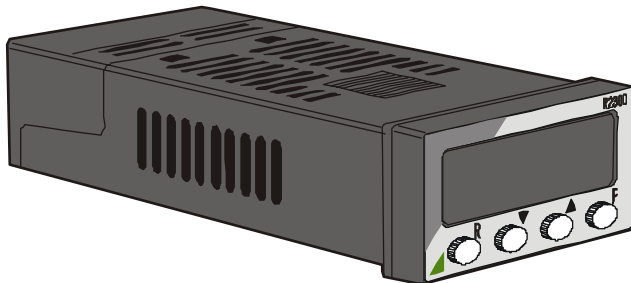


R2300

Compact Controller 24 x 48 mm

3-349-198-29

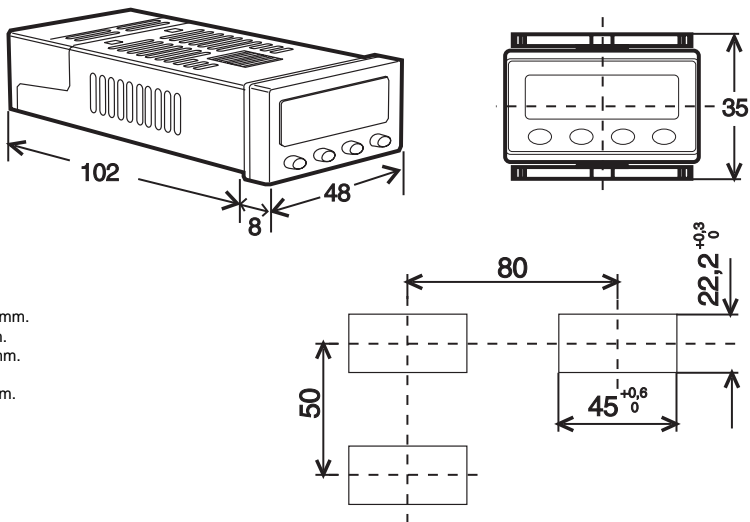
1/4.02



INDEX

MOUNTING REQUIREMENTS	1
CONNECTIONS	1
INSTRUMENT CONFIGURATION	4
Run time and configuration modes	4
General note about graphic symbols used for mnemonic code visualization	4
Keyboard description	5
Hardware setting	6
CONFIGURATION MODE	7
Monitor mode	7
Modify mode	8
CONFIGURATION PARAMETERS	8
RUN TIME MODE	13
Alternative functions of the display	13
Indicators	14
Run Time parameters	14
Output power off function	23
SP - SP2 selection	23
Direct access to the set point	23
Lamp test	23
Loop break alarm	24
SMART function	24
ERROR MESSAGES	25
GENERAL INFORMATIONS	26
DEFAULT PARAMETERS	A.1
SECURITY CODES	A.2

OUTLINE AND CUT OUT DIMENSIONS
DIMENSIONS ET PERÇAGE
ABMESSUNGEN UND FRONTTAFELAUSSCHNITT
DIMENSIONI E FORATURA
DIMENSIONES Y MEDIDAS



Dimensions are in mm.
Dimensions en mm.
Abmessungen in mm.
Dimensioni in mm.
Dimensiones en mm.

Fig. A
Abb.A

CONNECTION DIAGRAMS

GB

Screw terminals from n° 1 up to 6 (screw M2.6, for cables from f 0.25 to f 2.5 mm² or from AWG 22 to AWG 14, max torque 0.4 Nm).

Screw terminals from n° 7 up to 9 (screw M2, for cables from f 0.25 to f 0.75 mm² or from AWG 22 to AWG 18, max torque 0.25 Nm).

RACCORDEMENTS

F

Bornes de n°1 à n°6 (vis M2.6, pour câbles de ϕ 0.25 à ϕ 2.5 mm² ou de AWG 22 à AWG 14, couple de serrage maxi. 0.4 Nm).

Bornes de n°7 à n°9 (vis M2, pour câbles de ϕ 0.25 à ϕ 0.75 mm² ou de AWG 22 à AWG 18, couple maxi. de serrage 0.25 Nm).

ELEKTRISCHE ANSCHLÜSSE

D

Schraubanschlüsse von n°1 bis n°6 (Schraube M2,6 für Kabel mit \varnothing von 0,25 bis \varnothing 2,5mm² oder von AWG 22 bis AWG 14, Maximal-Anziehmoment 0,4 Nm).

Schraubanschlüsse von n°7 bis n°9 (Schraube M2 für Kabel mit \varnothing von 0,25 bis \varnothing 0,75mm² oder von AWG 22 bis AWG 18, Maximal-Anziehmoment 0,25 Nm).



Fig. B
Abb. B

COLLEGAMENTI

I

Morsetti dal n°1 al n°6 (vite M2.6, per cavi da ϕ 0.25 a ϕ 2.5 mm² o da AWG 22 a AWG 14, coppia massima di serraggio 0.4 Nm).

Morsetti dal n°7 al n°9 (vite M2, per cavi da ϕ 0.25 a ϕ 0.75 mm² o da AWG 22 a AWG 18, coppia massima di serraggio 0.25 Nm).

CONEXIONES

E

Conexiones a tornillo del n°1 al n°6 (tornillo M2.6 para cables de ϕ 0.25 a ϕ 2.5 mm² o de AWG 22 a AWG 14, fuerza máxima de ajuste 0.4 Nm).

Conexiones a tornillo del n°7 al n°9 (tornillo M2 para cables de diametro ϕ 0.25 a ϕ 0.75 mm² o de AWG 22 a AWG 18, fuerza máxima de ajuste 0.25 Nm).

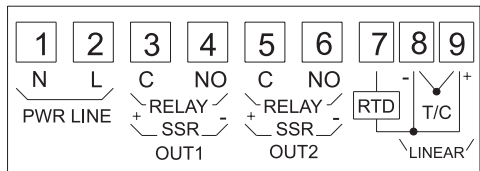


Fig. C
Abb. C

MOUNTING REQUIREMENTS

This instrument is intended for permanent installation, for indoor use only, in an electrical panel which encloses the rear housing, exposed terminals and wiring on the back. Select a location, for instrument mounting, where minimum vibrations are present and the ambient temperature is within 0 and 50 °C (32 and 122 °F).

The instrument can be mounted on a panel up to 15 mm thick with a 45 x 22.2 mm square cutout.

For outline and cutout dimensions refer to Fig. A.

The surface texture of the panel must be better than 6,3 µm.

The instrument is shipped with rubber panel gasket. To assure the IP65 and NEMA 4 front protection, insert the panel gasket between the instrument and the panel as shown in fig. 1.

For the instrument mounting proceed as follows:

- 1) insert the gasket in the instrument case;
- 2) insert the instrument in the panel cutout;
- 3) pushing the instrument against the panel, insert the mounting bracket and press it against the panel.

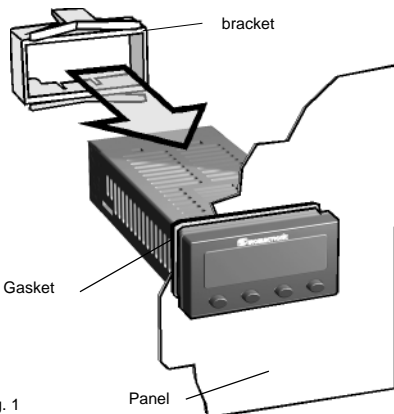


Fig. 1

CONNECTIONS

A) MEASURING INPUTS

NOTE: Any external component (like zener barriers etc.) connected between sensor and input terminals may cause errors in measurement due to excessive and/or not balanced line resistance or possible leakage currents.

TC INPUT

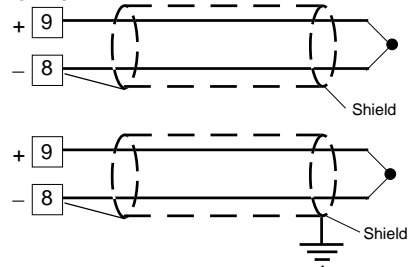


Fig. 2 THERMOCOUPLE INPUT WIRING

External resistance: 100 Ω max, maximum error 0,1% of span.

Cold junction: automatic compensation from 0 to 50 °C.

Cold junction accuracy : 0.1 °C/°C

Input impedance: > 1 MΩ

NOTES:

- 1) Don't run input wires together with power cables.
- 2) For TC wiring use proper compensating cable preferable shielded.
- 3) When a shielded cable is used, it should be connected at one point only.

RTD INPUT

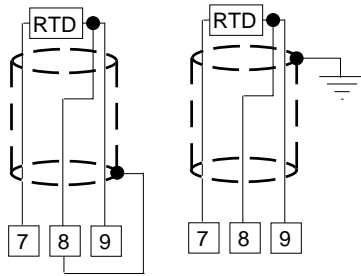


Fig. 3 RTD INPUT WIRING

Input: for RTD Pt 100 Ω , 3-wire connection.

Line resistance: automatic compensation up to 25 Ω /wire with no measurable error.

NOTES:

- 1) Don't run input wires together with power cables.
- 2) Pay attention to the line resistance; a high line resistance may cause measurement errors.
- 3) When shielded cable is used, it should be grounded at one side only to avoid ground loop currents.
- 4) The resistance of the 3 wires must be the same.

LINEAR INPUT

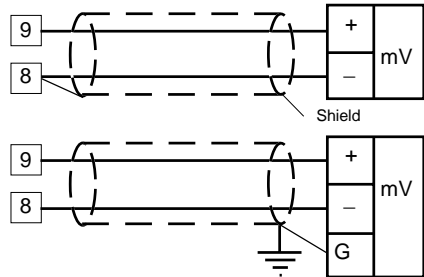


Fig. 4 mV INPUT WIRING

NOTES:

- 1) Don't run input wires together with power cables.
- 2) Pay attention to the line resistance; a high line resistance may cause measurement errors.
- 3) When shielded cable is used, it should be grounded at one side only to avoid ground loop currents.

Input type		Impedance	Accuracy
17	0 - 60 mV	> 1 M Ω	0.2 % + 1 digit @ 25°C
18	12 - 60 mV		

B) RELAY OUTPUTS

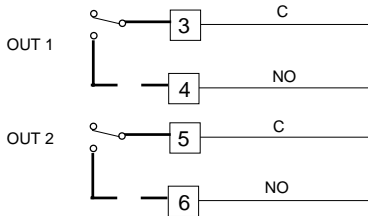


Fig. 5 RELAY OUTPUTS WIRING

The contact rating the relay outputs is 3A/250V AC on resistive load.

The number of operations is 1×10^5 at specified rating.

NOTES:

- 1) To avoid electrical shock, connect power line at the end of the wiring procedure.
- 2) For power connections use No 16 or 14 AWG rated for at least 75 °C.
- 3) Use copper conductors only.
- 4) Don't run input wires together with power cables.

All relay contacts are protected by varistor against inductive load with inductive component up to 0.5 A.

VOLTAGE OUTPUTS FOR SSR DRIVE

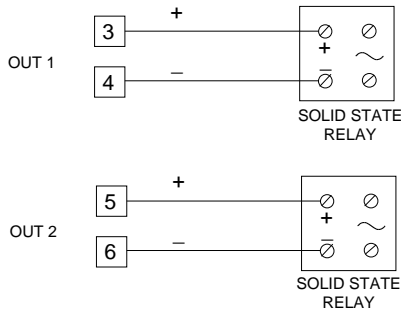


Fig. 6 SSR DRIVE OUTPUTS WIRING

They are time proportioning outputs.

Logic level 0: $V_{out} < 0.5 \text{ V DC}$.

Logic level 1:

- $14 \text{ V} \pm 20 \% @ 20 \text{ mA}$

- $24 \text{ V} \pm 20 \% @ 1 \text{ mA}$.

Maximum current = 20 mA.

NOTE: These outputs are not isolated. A double or reinforced isolation between instrument output and power supply must be assured by the external solid state relay.

C) POWER LINE WIRING

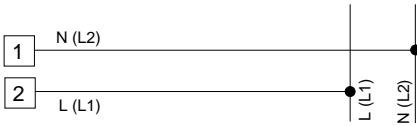


Fig. 7 POWER LINE WIRING

- 100V to 240V AC 50/60Hz (-15% to + 10% of the nominal value).
- 24 V AC/DC ($\pm 10\%$ of the nominal value).

NOTES:

- 1) Before connecting the instrument to the power line, make sure that line voltage corresponds to the description on the identification label.
- 2) To avoid electrical shock, connect power line at the end of the wiring procedure.
- 3) For supply connections use No 16 AWG or 14 AWG rated for at last 75 °C.
- 4) Use copper conductors only.
- 5) Don't run input wires together with power cables.
- 6) For 24 V DC the polarity is a do not care condition.
- 7) The power supply input is **NOT** fuse protected.

Please, provide it externally.

Power supply	Type	Current	Voltage
24 V AC/DC	T	500 mA	250 V
100/240 V AC	T	125 mA	250 V

When fuse is damaged, it is advisable to verify the power supply circuit, so that it is necessary to send back the instrument to your supplier.

- 8) The safety requirements for Permanently Connected Equipment say:
 - a switch or circuit-breaker shall be included in the building installation;
 - It shall be in close proximity to the equipment and within easy reach of the operator;
 - it shall be marked as the disconnecting device for the equipment.

NOTE: a single switch or circuit-breaker can drive more than one instrument.

- 9) When a neutral line is present, connect it to terminal 1.

INSTRUMENT CONFIGURATION

Run time and configuration modes

General notes

When the instrument is in run time mode and no modification parameter is in progress, the instrument displays the measured variable (we define this condition "normal display mode").

The instrument parameters are divided in two families:

- Run time parameters (formed by the groups 1, 2, 3, 4, 5, 6, default and hidden).
- Configuration parameters

At power up, the instrument starts in the same mode (configuration or run time) it was prior to the power OFF.

General note about graphic symbols used for mnemonic code visualization.

The instrument displays some characters with special symbols.

The following table shows the correspondence between the symbols and the characters.

symbol	character
"f"	k
"u"	W
"n"	m
"z"	Z
"b"	V
"j"	J

Keyboard description

FUNC = when the instrument is in "normal display mode", if depressed for less than 4 s., it changes the indication on the display (see "Alternative function of display").

when the instrument is in "normal display mode", if depressed for more than 4 s., it enables the lamp test (see "Lamp Test" paragraph).

During parameter modification, it allows to memorize the new value of the selected parameter and go to the next parameter (increasing order).

REV = When the instrument is in "normal display mode", if depressed for more than 4 s., it is possible to disable the control output (see "Output power OFF" paragraph).

During parameter modification, it allows to scroll back the parameters without memorizing the new setting.

▲ = During parameter modification, the first pressure allows to display the current value or status of the selected parameter, the following pressure allows to increase this value or to change the status.

▼ = During parameter modification, the first pressure allows to display the current value or status of the selected parameter, the following pressure allows to decrease this value or to change the status.

▲ + FUNC = During parameter modification they allow to increase the value under modification with higher rate.

▼ + FUNC = If depressed for less than 4 s. they allow to scroll the run time parameter groups in increasing order (only when the mnemonic code of a group is displayed [for ex. Gr.1]).
 During parameter modification they allow to decrease the value under modification with higher rate.

When the instrument is in "normal display mode", if depressed for more than 4 s., they allow to start the configuration mode.

▲ + REV = If depressed for less than 4 s. they allow to scroll the run time parameter groups in decreasing order (only when the mnemonic code of a group is displayed [for ex. Gr.1]).

During parameter modification they allow to jump to the max. programmable value.

▼ + REV = During parameter modification they allow to jump to the min. programmable value.

NOTES:

1) All the actions above explained which require the pressure of two or more keys must follow exactly the keys sequence shown.

2) A 10 or 30 seconds time out (see "t1ou") can be selected for parameter modification during run time mode.

If, during parameter modification, no key is depressed for more than 10 (30) seconds, the instrument goes automatically to the "normal display mode" and the eventual modification of the last parameter will be lost.

HARDWARE SETTING

Hardware protection for configuration parameters modification

An hardware protection for configuration parameters modify mode is also available, it is located on the solder side of the instrument circuit.

The instrument is shipped from factory without any parameter protection.

In order to enable this protection proceed as follows:

- 1) Switch off the instrument.
- 2) Remove the instrument from its case by pushing the locks (see Fig.8a [A]) and then slip out the instrument until the first stop (few mm.) (see Fig.8a [B]).
- 3) Unplug the terminal block cover (see Fig.8b [C]).
- 4) Slip out the instrument completely (see Fig.8b [D]).
- 5) Solder the Sh2 pads (See Fig. 9).
- 6) Re-insert until the first stop the instrument into the case.
- 7) Plug-in the terminal block cover.
- 8) Push the instrument completely into the case.
- 9) Switch on the instrument.

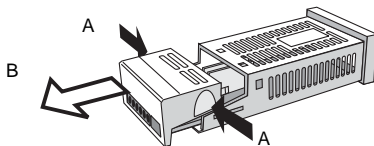


Fig.8a

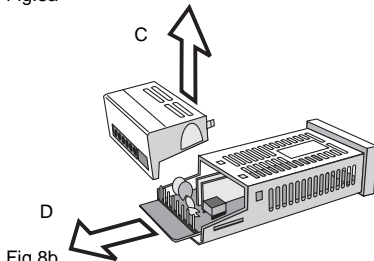


Fig.8b

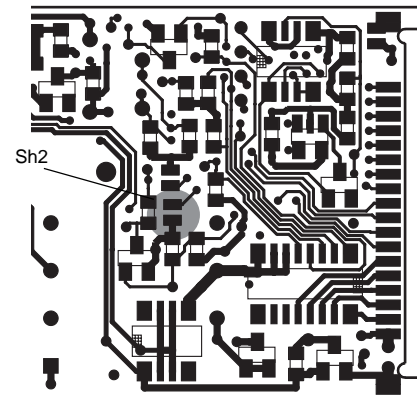


Fig.9

CONFIGURATION MODE

The instrument will start in the same way it was prior to the power down (configuration mode or run time mode).

- a) If the instrument starts in run time mode, by keeping depressed the ▼ + FUNC for more than 4 seconds the instrument will show:



By pushing the FUNC key, it is possible to select between:

- monitor mode;
the instrument does not stop the control and it is possible to verify all the configuration parameters.
- modify mode;
the instrument stops the control and it is possible to verify and to modify all the configuration parameters.

NOTE:

If no push-button is depressed for more than 10 s (or 30 s according to "t1ou" [time out selection] parameter setting), the instrument returns automatically to the normal display mode.

- b) If the instrument starts in configuration modify mode, the display will show:



It is the first configuration parameter displayed in modify mode.

MONITOR MODE

When it is desired to monitor the instrument configuration, proceed as follows:

- 1) By the ▲ or ▼ key select the monitor mode, the display will show:



- 2) Push the FUNC key the display will show:



it is the first parameter of the configuration group displayed in monitor mode.

- 3) Press the FUNC key to scroll through parameters.
4) Press the ▲ or ▼ key to display the value or status of the selected parameter.
5) It is possible to return in normal display mode:
- manually; by pushing the ▼ + FUNC keys when the display shows "ConF".
- automatically; at the end of the time out (see note 2).

NOTES:

- 1) During monitor mode, the instrument continues to operate as in run time mode.
2) If no push-button is depressed for more than 10 s (or 30 s according to "t1ou" [time out selection] parameter setting), the instrument returns automatically to the normal display mode.

MODIFY MODE

When it is desired to modify the configuration parameters proceed as follows:

By ▲ or ▼ key select the configuration modify mode, if the hardware protection is disabled (see Hardware protection for configuration parameters paragraph) the display will show:

Push the FUNC key.

1) If the configuration group is protected by security code the display will show:

1.A) By ▲ and ▼ keys enter a value equal to the security code set for the configuration mode or the master key code (see appendix A).

Note: the master key code allows to enter in modify configuration parameters mode either if any other configuration security code is set or if the configuration parameters are always protected (S.CnF = 1).

Push the FUNC key, the display will show:

It is the first parameter of the configuration group and the parameter modification is started. Press the FUNC key to scroll through parameters, when the parameter to be modified has been reached, change its value or status by ▲ and ▼ keys.

1.B) If the value is different from the security code, the display will show:

2) If the configuration group is not protected by security code the display will show:

When it is desired to return to normal display mode push the FUNC key more times until the configuration

parameter end is reached, the display will show:

by ▲ and ▼ keys, select the "YES" indication, then push the FUNC key again.

NOTE:

During the modify mode, the instrument stops the control and:

- sets to OFF the control outputs;
- sets alarms in no alarm condition;
- the time out will be removed.

CONFIGURATION PARAMETERS

Some of the following parameter may be skipped according to the instrument configuration.

Default configuration parameter loading

Range: OFF = No loading data

dF.t1= Loading European Table (Tb.1) default parameters.

dF.t2= Loading American Table (Tb.2) default parameters.

NOTES:

- 1) the list of both default parameter tables is reported at Appendix A.
- 2) see also the note of the "Cn.tP" configuration parameter at pag. 10.

Input type and standard range

Ranges:

* 1 = TC type	L range	-100 / +900 °C
* 2 = TC type	J range	-100 / +1000 °C
* 3 = TC type	K range	-100 / +1370 °C
* 4 = TC type	T range	-200 / +400 °C
5 = TC type	N range	-100 / +1400 °C
6 = TC type	S range	-50 / +1760 °C
7 = TC type	R range	-50 / +1760 °C

* 8 = RTD Pt100	range	-200 /	+850 °C
9 = TC type	L range	-150 /	+1650 °F
10 = TC type	J range	-150 /	+1830 °F
11 = TC type	K range	-150 /	+2500 °F
12 = TC type	T range	-330 /	+750 °F
13 = TC type	N range	-150 /	+2550 °F
14 = TC type	S range	-60 /	+3200 °F
15 = TC type	R range	-60 /	+3200 °F
* 16 = RTD Pt100	range	-330 /	+1560 °F
17 = Linear	range	0 /	60 mV
18 = Linear	range	12 /	60 mV

* For these ranges it is possible to select a readout with one decimal figure, in this case the instrument cannot display a measure lower than -199.9 or higher than 999.9 and the input range will be limited by it.

NOTE:

When input type has been changed, the instrument automatically forces:

- the "ñ.In.L" and "SS.th" parameters to the new initial scale value (0 for linear range),
- the "ñ.In.H" parameter to the new full scale value (4000 for linear range),
- the "ñ.In.d" parameter to " no decimal figure".



Decimal point position

This parameter is available only for the input types 1 up to 4, 8, 16 up to 18.

- . = No decimal figure.
- .- = One decimal figure.
- .== = Two decimal figures.
- .=== = Three decimal figures.

NOTES:

- 1) For input types 1 to 4, 8 and 16 only the "no decimal figure" and "one decimal figure" are selectable, the input range is limited within -199.9 and 999.9 and it acts as an input type changeament.
- 2) For linear input types (17 and 18), all positions are available.



Readout - initial scale value

Range:

For linear inputs it is programmable from -1999 to 9999. For TC and RTD inputs it is programmable from initial range value to "ñ.In.H" parameter (readout full scale value).

NOTES:

- 1) Changing the "ñ.In.L" value, the "rL" run time parameter will be aligned to it, if the new value is higher than the SP (and/or SP2) value, the SP (and/or SP2) value will be aligned to "rL".
- 2) If a linear input is selected, the "SS.th"(Input threshold to enable the soft start) configuration parameter will be aligned as well.
- 3) If a linear input is selected, the value of this parameter can be greater than "ñ.In.H" in order to get a reverse readout.



Readout - full scale value

Range:

For linear inputs it is programmable from -1999 to 9999. For TC and RTD inputs it is programmable from "ñ.In.L" (readout initial scale value) to full range value.

NOTES:

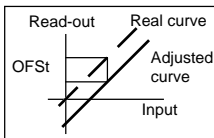
- 1) Changing the "ñ.In.H" value, the "rH" run time parameter will be aligned to it, if the new value is lower than the SP (and/or SP2) value, the SP (and/or SP2) value will be aligned to "rL".
- 2) The programmed input span, in absolute value, must be greater than:
 - 300 °C or 550 °F for TC inputs;
 - 100 °C or 200 °F for RTD inputs;
 - 100 digits for linear inputs.
- 3) If a linear input is selected, the value of this parameter can be smaller than "ñ.In.L" in order to get a reverse readout.

OFSt Input offset adjustment

Range: from -500 to 500 digits.

NOTES:

- 1) The decimal point will be automatically positioned as selected for the main input.
- 2) The offset value will be algebraically added to the input process value.



INFL Filter on the measured value

Ranges:

nonE = no digital filter

- 1 = filter with 1 second time constant
- 2 = filter with 2 seconds time constant
- 4 = filter with 4 seconds time constant
- 8 = filter with 8 seconds time constant
- 12 = filter with 12 seconds time constant
- 16 = filter with 16 seconds time constant
- 20 = filter with 20 seconds time constant

NOTES:

- 1) This is a first order digital filter applied to the measured value.
- 2) This filter has effect on all instrument functions (display, alarms, self-tuning, control).

OUT 1 function

Range: nonE = Output not used

nAin = Time proportional main control output

SECn = Time proportional secondary control output

ALr.1 = Alarm 1 output

OUT 2 function

Range: nonE = Output not used

nAin = Time proportional main control output

SECn = Time proportional secondary control output

ALr.2 = Alarm 2 output

Smart function

This parameter is available only when at least one control output is configured.

Range: dIS = Smart function disabled.

Enb = Smart function may be enabled.

Control action type

This parameter is available only when at least one control output is configured.

Range: Pid = The process is controlled by PID action.

Pi = The process is controlled by PI action.

Note: if the control action type was changed and the configuration procedure has been enabled while the second part of the SMART algorithm (ADAPTIVE) was in progress, the "Pb" and "ti" parameters will be updated with the values calculated by the first part (TUNE) of the SMART for the new type of control action.

If these values are wrong the following actions occur:

- the "E.120" error message is displayed for 2 seconds,
- the "Pb" and "ti" parameters will not be updated,
- the instrument will work as PI controller ("td" parameter will be forced to 0).

It is advisable to restart the SMART algorithm.

SF.Cn Condition for output safety value

This parameter is available only when at least one control output is configured.

Ranges:

- Std. = No safety value ("standard setting" see chapter ERROR MESSAGES).
- Ov.Un = Safety value applied when the instrument detects an overrange or underrange condition of the input.
- OvEr = Safety value applied when the instrument detects an overrange condition of the input.
- Undr = Safety value applied when the instrument detects an underrange condition of the input.

SF.bL Output safety value

This parameter is available only when "SF.Cn" is equal to "Ov.Un", "OvEr" or "Undr".

Range:

- from 0 to 100 % if the instrument is configured with one control output;
- from -100 % to 100 % if the instrument is configured with two control outputs.

SS.tH Input threshold to enable the soft start

This parameter is available only when at least one control output is configured.

Range:

for TC/RTD ranges - within the input range;
for linear input - within "n.In.L" ("Read-out initial scale value") and "n.In.H" ("Read-out full scale value").

NOTE: At start up if the measured value is lower than the threshold value, the device maintains the output power limiting (Gr.5, "n.OLL", "n.OLH", "S.OLL" and "S.OLH") for a programmed time (Gr.5, "tOL").

This function is called "soft start"

This threshold value has no effect if "tOL" = InF

Lb.AL Loop break alarm (LBA) - output assignment

This parameter is available only when at least one control output is configured.

Range:

- nonE = Function disabled
- diSP = The LBA is signalled on display only
- Out1 = The output 1 is used as output for LBA
- Out2 = The output 2 is used as output for LBA
- NOTE:** If Out1 or Out 2 is selected and the related output is configured as control output, this parameter will be forced to "diSP".

Lb.tH Loop break alarm threshold

This parameter is available when "L.b.AL" is different from "nonE".

Range: from 0 to 500 digits

Lb.tT Loop break alarm timer

This parameter is available when "L.b.AL" is different from "nonE".

Range: from 00.01 to 40.00 mm.ss (minutes/seconds)

Lb.HS Loop break alarm hysteresis

This parameter is available when "L.b.AL" is different from "nonE".

Range: 1 to 50% of the power output

SP.dS Set point indication

Range:

- Fr.SP = during run time mode, when the instrument performs a ramp, it will show the final set point value.
- OP.SP = during run time mode, when the instrument performs a ramp, it will show the operative set point.

RUSP Set point available

Range:

- 1 = Only the main set point is available
- 2 = Main and auxiliary set point are available

t.tou Time out selection

Range: tñ.10 = 10s time out
tñ.30 = 30s time out

NOTE: for more details see "NOTE 3" at page 14.

t.2ou Time out selection on alternative functions of the display

This time out is applied, in run time mode, to the alternative functions of the display when the instrument is in normal display mode.

Range: tñ.10 = 10s time out
tñ.30 = 30s time out
nonE = No time out is applied

S.run Security code for run time parameters

Range:0 No protection (it is always possible to modify all run time parameters);
1 always protected (it is not possible to modify any run time parameter);
from 2 to 9999 security code for run time parameter protection.

Pr.Gr Run time parameter groups protected by security code

This parameter is available if a security code is set ("S.run" is different from 0 or 1).

Range:

- | | |
|-----|---|
| All | all run time parameters groups will be protected, |
| 1 | from group 2 up to hidden will be protected, |
| 2 | from group 3 up to hidden will be protected, |
| 3 | from group 4 up to hidden will be protected. |

S.CnF Security code for configuration parameters

Range:0 No protection (it is always possible to modify all configuration parameters);
1 always protected (it is not possible to modify any configuration parameter);
from 2 to 9999 security code for configuration parameter protection.

General notes about security codes

- 1) If a value from 2 to 9999 has been assigned as security code it cannot be displayed anymore, when returning on this parameter the display will show "On".
- 2) If the security code is forgotten a new value can be set.
- 3) For configuration parameter only is available a master key code, by this code it is possible to enter in modify configuration mode even if the configuration parameters are protected (S.CnF = 1 or from 2 to 9999).
The master key code is located on Appendix A.
- 4) Fill out and cut the part of the Appendix A reserved to the security codes if it is desired to keep them secrets.

Cn.Ed End of the configuration

This parameter is displayed only when configuration modify mode is enabled.

Range:

nO = with this selection the instrument comes back to the first display of the configuration modify mode
YES = this selection ends the configuration modify mode; the instrument performs an automatic reset and restarts the run time mode.

Pushing "▲" or "▼" key to select the desired action and then push "FUNC" key.

General note about configuration group

Exiting from the configuration group the instrument automatically verifies the congruence for parameters.

The congruence test is passed when:

- 1) No output is configured as control output.
- 2) Only one output is configured as "ñAin".
- 3) Only one output is configured as "Secn".
- 4) If only one control output is configured, it has to be "ñAin".

5) The linear input span is greater than 100 digits.

If a wrong setting is detected the display will show:

Errr

for 2 seconds and then the instrument restarts the configuration procedure.

Correct the error and repeat the configuration end.

Exiting from the configuration group the following actions are carried out as well:

- a) If only one control output is configured, the "SF.UL" parameter (Output safety value) will be forced to zero if its value is less than 0.
- b) If the LBA alarm output is assigned to an output configured as control output, the "L.b.AL" parameter (LBA output assignment) will be forced to "diSP".
- c) If the output configuration is changed, the "IP" ("Integral pre-load", Gr.4 - run time parameter) will be forced to 50% (if one control output is configured) or to 0% (if two control outputs are configured).
- d) If the instrument is configured with two control outputs the control action ("Cn.Ac parameter) will be forced to "rEv" and it cannot be modified.

RUN TIME MODE

The run time mode is the instrument operating mode, during the run time mode the instrument performs the control loop and manages all the functions (SMART, alarms, etc...).

When the instrument operates in run time mode, the display shows the measured value (we define this condition as "normal display mode").

ALTERNATIVE FUNCTIONS OF THE DISPLAY

From the normal display mode, it is possible to change the information shown on the display in the following way:

- a) By pushing the FUNC key the display will show, if configured, the loop break alarm (LBA) status

annunciator as follows:

"L.b.OF" = no alarm
"L.b.AL" (AL flashing) = alarm condition
"L.b.AL" (AL steady) = alarm acknowledged

- b) Push FUNC key again, the display will show the operative or final set point (as set for the "SP.dS" parameter), the decimal point as shown in Fig. 10 is lit.

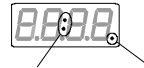


Fig. 10 Control output value Set point

- c) Push FUNC key again, the display will show the control output value, the two points as shown in Fig 10 are lit. The value of the MAIN control output is shown on the two most significant digits, while the SECONDARY control output is shown on the two least significant digits.

NOTES:

- 1) The graphic symbol "□ □" shows that the respective output value is 100%.
 - 2) If the control output is disabled the display will show OFF.
- d) Push FUNC key again, the display will show "V" followed by code "A" and the software version code.
- Push FUNC key again. The display will return in "Normal Display Mode".

NOTES:

- 1) The alternative functions of the display are bound to the time out set by "t2.ou" parameter.
- 2) When the LBA is in alarm condition, the "L.b.AL" indication (AL is flashing) will be immediately displayed.

If the run time display type has been changed, "L.b.AL" indication will be restored after "t2.ou" ("t2.ou" will be equal to 10 s. if it was set as "nonE").

INDICATORS

- ST Flashing when the first part of the SMART algorithm is active.
Lit when the second part of the SMART algorithm is active.
- 1 Lit when OUT 1 is used as control output and it is in ON condition or when alarm 1 is in alarm state and acknowledged.
Flashing when alarm 1 is in alarm state not acknowledged.
- 2 Lit when OUT 2 is used as control output and it is in ON condition or when alarm 2 is in alarm state and acknowledged.
Flashing when alarm 2 is in alarm state not acknowledged.

RUN TIME PARAMETERS

When the instrument is in normal display mode, it is possible to monitor or to modify the run time parameters in the following way:

- 1) by pushing the ▼ + FUNC keys select the parameter group to be modified (use the ▲ + REV keys to scroll backward).
The display will show the number of the parameter group selected.
NOTE: if a security code is assigned to run time parameters group, the "SC" group (security code) will be displayed before the first protected group.
- 2) Push the FUNC key to scroll forward through parameters (REV for backward), the display will show the mnemonic code.
- 3) Push ▲ or ▼ key, the instrument shows the value or status of the selected parameter.
- 4) By ▲ or ▼ key it is possible to change the desired value or status.
- 5) Pushing the FUNC key, the instrument memorizes the new value (or the new status) and goes to the next parameter.
- 6) It is possible to exit from the run time parameter monitor/modify:
 - automatically, after the time out (see note 3)
 - manually, by pushing the ▼ + FUNC keys when "Gr.dF" (or Gr.Hd if selected) is displayed or by pushing the ▲ + REV keys when "Gr.1" is displayed.

NOTES:

- 1) If no parameter of a group is available, this group will not be displayed.
- 2) Some of the following parameter may be skipped according to the instrument configuration.
- 3) The parameter monitoring and modification are subjected to a time out (see "t1.ou" configuration parameter) after that, the display returns in "Normal display mode" and the eventual modification of the last displayed parameter will be lost.

Run time group SC

RUN TIME SECURITY CODE



This group is available when a security code is assigned to run time parameters and it will be displayed before the first run time parameter.



Run time security code (GR.SC)

Range: from 2 to 9999

Enter the assigned code and then push the FUNC key.

NOTES:

- 1) If a wrong code is entered, it is only possible to verify the parameters value or status.
- 2) When the instrument returns in normal display mode or in alternative display, the protection is automatically restored.

Run time group 1

SET POINT VALUES



Set point selection (Gr.1)

This parameter is available if "AV.SP" = 2.

Range: O.SP = SP is the operative set point
O.SP2 = SP2 is the operative set point

NOTE: the modification of this parameter is always allowed (even if "Gr.1" is protected).

SP Main set point (Gr.1)

Range: from rL (set point low limit) to rH (set point high limit).

SP2 Auxiliary set point (Gr.1)

This parameter is available if "AV.SP" = 2.

Range: from rL (set point low limit) to rH (set point high limit).

DFG1 Group 1 default data loading

Range: OFF = No loading data
ON = loading data

Run time group 2

CONTROL FUNCTIONS ENABLE/DISABLE

Gr. 2

Smart SMART function (Gr.2)

This parameter is available if: at least one control output is configured, the SMART function is enabled ("Sñ.Fn" = "Enb"), the control output is enabled ("Cntr" = ON) and the control action is enabled ("Pb" parameter is different from 0).

Range: OFF = SMART algorithm is deactivated
ON = SMART algorithm is activated

Ente Control output enable/disable (Gr.2)

This parameter is available if at least one control output is configured.

Range: OFF = The control output is disabled
ON = The control output is enabled

Run time group 3

ALARM THRESHOLD AND HYSTERESIS VALUE

Gr. 3

nrst Manual reset of the alarms (Gr.3)

Range: ON/OFF

Change to ON and then depress "FUNC" key to reset/acknowledge the alarm condition.

NOTE: the reset/acknowledge function is always enabled (it is not protected by security code).

AL 1 Alarm 1 threshold (Gr.3)

This parameter is available when alarm 1 is configured as process or deviation (Gr.6 - "A1.tP" = "Proc" or "dEV")

Range: - in engineering units within the span limits for process alarm;
- from -1000 to 1000 digits for deviation alarm;

NOTE: The span limits are configured by "ñ.In.L" and "ñ.In.H" configuration parameters.

ba1L Low threshold used when the alarm 1 is a band alarm (Gr.3)

This parameter is available only when the alarm 1 is configured as band alarm (Gr.6 - "A1.tP" = "bAnd").

Range: from 0 to -1000 digits.

ba1h High threshold used when the alarm 1 is a band alarm (Gr.3)

This parameter is available only when the alarm 1 is configured as band alarm (Gr.6 - "A1.tP" = "bAnd").

Range: from 0 to 1000 digits.

NOTE: The "ba1.L" and "ba1.h" values are algebraically added to the operative set point in order to obtain the band limits.

AL2 Alarm 2 threshold (Gr.3)

This parameter is available when alarm 2 is configured as process or deviation (Gr.6 - "A2.tP" = "Proc" or "dEV")
Range: - in engineering units within the span limits for process alarm;
- from -1000 to 1000 digits for deviation alarm;

NOTE: The span limits are configured by "ñ.In.L" and "ñ.In.H" configuration parameters.

ba2L Low threshold used when the alarm 2 is a band alarm (Gr.3)

This parameter is available only when the alarm 2 is configured as band alarm (Gr.6 - "A2.tP" = "bAnd").
Range: from 0 to -1000 digits.

ba2h High threshold used when the alarm 2 is a band alarm (Gr.3)

This parameter is available only when the alarm 2 is configured as band alarm (Gr.6 - "A2.tP" = "bAnd").
Range: from 0 to 1000 digits.
NOTE: The "ba2.L" and "ba2.h" values are algebraically added to the operative set point in order to obtain the band limits.

HSR1 Alarm 1 hysteresis (Gr.3)

This parameter is available only when Out 1 is configured as alarm output ("O1.Fn" = "ALr.1")
Range: from 1 to 200 digits

HSR2 Alarm 2 hysteresis (Gr.3)

This parameter is available only when Out 2 is configured as alarm output ("O2.Fn" = "ALr.2")
Range: from 1 to 200 digits

DFD3 Group 3 default data loading

Range: OFF = No loading data
ON = loading data

Run time group 4 CONTROL PARAMETERS

Gr. 4

Pb Proportional band (Gr.4)

This parameter is available when at least one control output is configured.

Range: from 1.0% to 100.0% of the input span.
Set 0.0% for On/OFF control action

NOTES:

- 1) The Pb resolution will be equal to 0.1% up to 10.0% and 1% from 10.0% up to 100.0%.
- 2) When device is working with SMART algorithm the "Pb" value will be limited as selected by the Gr.Hd - "Pb.Hi" and "Pb.Lo" parameters.

HYS Hysteresis (for ON/OFF control) (Gr.4)

This parameter is available when Pb = 0 (On/OFF control action)

Range: from 0.1% to 10.0% of the input span.

t_i Integral time (Gr.4)

This parameter is available when at least one control output is configured and Pb is different from 0.

Range: from 00.01 to 20.00 mm.ss
Above this value the display blanks and the integral action is excluded.

NOTE: When device is working with SMART algorithm the "ti" value will be limited as selected by Gr.Hd - "ti.Hi" and "ti.Lo" parameters.

t_d Derivative time (Gr.4)

This parameter is available when at least one control output is configured, the "Cn.tP" configuration parameter is equal to "Pid" and "Pb" is different from 0.

Range: From 00.00 to 10.00 mm.ss

NOTES:

- 1) When device is working with SMART algorithm and the "Cn.tP" configuration parameter is equal to "Pid", the "td" value will be proportional to the "ti" value with a ratio established by the SMART algorithm.
- 2) When "Cn.tP" is equal to "PI", the derivative action is excluded.

IP

Integral preload (Gr.4)

This parameter is available when at least one control output is configured and "Pb" is different from 0.

Ranges:

- from 0 to 100 % of the output when device is configured with only one control output;
- from -100 to 100 % of the output when device is configured with two control outputs.

Gr

Relative secondary output gain (Gr.4)

This parameter is available when two control outputs are configured.

Range: from 0.20 to 1.00

OLAP

Overlap/dead band between main and secondary outputs (Gr.4)

This parameter is available when two control outputs are configured.

Range: from -20 to 50

NOTE: A negative value means a dead band while a positive value means an overlap.

ARU

Antireset windup (Gr.4)

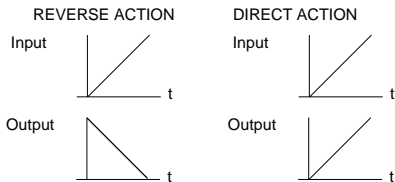
This parameter is available when at least one control output is configured and "Pb" is different from 0.

Range: from 10 % to 200 % of the input span.

CrAc

Control action (Gr.4)

Range: rEv = reverse action
dir = direct action



NOTE: when device is configured with two control outputs or the first part of the SMART algorithm (TUNE) is in progress the control action can be monitored only.

DFD4

Group 4 default data loading

Range: OFF = No loading data
ON = loading data

Run time group 5

AUXILIARY CONTROL PARAMETERS

Gr. 5

ROLL

Main control output low limit (Gr.5)

This parameter is available when one output is configured as main control output.

Range: from 0 % (of the output span) to \bar{n} .OLLH.

ROLLH

Main control output high limit (Gr.5)

This parameter is available when one output is configured as main control output.

Range: from \bar{n} .OLL to 100 % (of the output span).

GrP Main control output max rate of rise (Gr.5)

This parameter is available when one output is configured as main control output.

Ranges: from 1 %/s to 25 %/s.

Above this value the display shows "Inf" meaning that no limit is imposed.

NOTE: the ramp function will be active even if device is configured for On/OFF control.

GrCY Main output cycle time (Gr.5)

This parameter is available when one output is configured as main control output.

Range: from 1 to 200 s.

SOLL Secondary control output low limit (Gr.5)

This parameter is available when one output is configured as secondary control output.

Range: from 0 % (of the output span) to S.OLH.

SOLH Secondary control output high limit (Gr.5)

This parameter is available when one output is configured as secondary control output.

Range: from S.OLL to 100 % (of the output span).

GrP Secondary control output max rate of rise (Gr.5)

This parameter is available when one output is configured as secondary control output.

Ranges: from 1 %/s to 25 %/s.

Above this value the display shows "Inf" meaning that no limit is imposed.

NOTE: the ramp function will be active even if device is configured for On/OFF control.

SCCY Secondary output cycle time (Gr.5)

This parameter is available when one output is configured as secondary control output.

Range: from 1 to 200 s.

rL Set point low limit (Gr.5)

Range: from "n.In.L" configuration parameter to "rH".

NOTE: When "rL" is modified and the new value is higher than the SP (and/or SP2) value, the SP (and/or SP2) value will be realigned to "rL".

rH Set point high limit (Gr.5)

Range: from "rL" to "n.In.H" configuration parameter.

NOTE: When "rH" is modified the new value is lower than the SP (and/or SP2) value, the SP (and/or SP2) value will be realigned to "rH".

Grd1 Rate of change for positive set point variations (Gr.5)

Range: from 1 to 200 digits per minute.

Above this value the display shows "Inf" and the transfer will be a step change.

Grd2 Rate of change for negative set point variations (Gr.5)

Range: from 1 to 200 digits per minutes.

Above this value the display shows "Inf" and the transfer will be a step change.

tOL Time out for the soft start (Gr.5)

This parameter is available when at least one output is configured as control output.

Range: from 1 to 540 min.

Above this value the display shows "Inf" and the limiting action is always active.

NOTE: The tOL can be always modified and:

- if the new value is set from 1 to 540, it will be activated only at the next instrument power up or when the instrument is reverted from the output power off;
- if "Inf" is set, it will be immediately activated.

dfcs Group 5 default data loading

Range: OFF = No loading data
ON = loading data

Run time group 6 ALARMS SETTING

Gr. 6

ALP Alarm 1 type (Gr.6)

This parameter is available only when OUT 1 is configured as alarm 1 output ("O1.Fn" configuration parameter = "ALr.1")

Range: Proc = Alarm on process variable
bAnd = Band alarm on process variable
dEV = Deviation alarm on process variable

NOTE: When alarm type has been changed the alarm threshold will be forced to its default value and alarm status will be deleted.

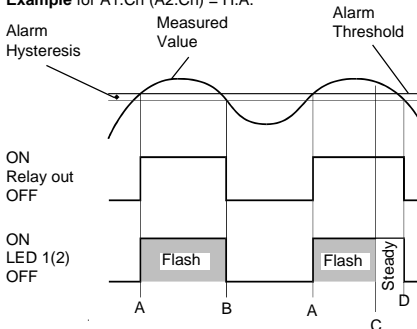
ALc Alarm 1 configuration (Gr.6)

This parameter is available only when OUT 1 is configured as alarm 1 output ("O1.Fn" configuration parameter = "ALr.1")

Range: H.A. = High alarm (outside band) with automatic reset
L.A. = Low alarm (inside band) with automatic reset
H.A.Ac = High alarm (outside band) with automatic reset and acknowledge
L.A.Ac = Low alarm (inside band) with automatic reset and acknowledge
H.L. = High alarm (outside band) with manual reset
L.L. = Low alarm (inside band) with manual reset

NOTE: When alarm configuration has been changed, the alarm status will be deleted.

Example for A1.Cn (A2.Cn) = H.A.

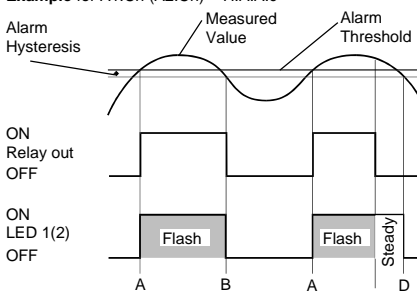


A = alarm condition detection

B = automatic reset of alarm

C = manual reset; the LED gets steady lit, the alarm remains in the alarm status until the process variable reaches the alarm threshold minus hysteresis (D).

Example for A1.Cn (A2.Cn) = H.A.A.c

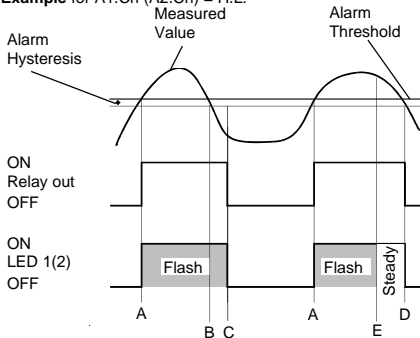


A = alarm condition detection

B = automatic reset of alarm

C = manual reset; the LED gets steady lit, the relay output goes OFF but the LED remains steady lit until the process variable reaches the alarm threshold minus hysteresis (D).

Example for A1.Cn (A2.Cn) = H.L.



A= alarm condition detection

B= the alarm remains in alarm status (even if the measured value is under the threshold) until a manual reset is performed (C).

E= if a manual reset is performed when the alarm condition still exist; the LED gets steady lit, the alarm remains in the alarm status until the process variable reaches the alarm threshold minus hysteresis (D).

A1.AC Alarm 1 action (Gr.6)

This parameter is available only when OUT 1 is configured as alarm 1 output ("O1.Fn" configuration parameter = "ALr.1")

Range: dir = direct action (Relay energized or SSR=1 in alarm condition)
 rEV = Reverse action (Relay energized or SSR=1 in non alarm condition)

A1.SL Alarm 1 stand by (mask) function (Gr.6)

This parameter is available only when OUT 1 is configured as alarm 1 output ("O1.Fn" configuration parameter = "ALr.1")

Range: OFF = Stand-by function disabled
 On = Stand-by function enabled

NOTES:

- 1) If the alarm is programmed as band or deviation alarm, this function masks the alarm condition after a set point change or at the instrument start-up until process variable reaches the alarm threshold plus or minus hysteresis. If the alarm is programmed as a process alarm, this function masks the alarm condition at instrument start-up until process variable reaches the alarm threshold plus or minus hysteresis.
- 2) The change from On to OFF has immediate effect, while the change from OFF to On has effect at the next start up or set point change.

A2.LP Alarm 2 type (Gr.6)

This parameter is available only when OUT 2 is configured as alarm 2 output ("O2.Fn" configuration parameter = "ALr.2")

Range: Proc = Alarm on process variable
 bAnd = Band alarm on process variable
 dEV = Deviation alarm on process variable

NOTE: When alarm type has been changed the alarm threshold will be forced to its default value and alarm status will be deleted.

A2.Cn Alarm 2 configuration (Gr.6)

This parameter is available only when OUT 2 is configured as alarm 2 output ("O2.Fn" configuration parameter = "ALr.2")

Range: H.A. = High alarm (outside band) with automatic reset.
 L.A. = Low alarm (inside band) with automatic reset.
 H.A.Ac = High alarm (outside band) with automatic reset and acknowledge.
 L.A.Ac = Low alarm (inside band) with automatic reset and acknowledge.
 H.L. = High alarm (outside band) with manual reset
 L.L. = Low alarm (inside band) with manual reset

NOTE: When alarm configuration has been changed, the alarm status will be deleted.

A2ARC Alarm 2 action (Gr.6)

This parameter is available only when OUT 2 is configured as alarm 2 output ("O2.Fn" configuration parameter = "ALr.2")

Range: dir = direct action (Relay energized or SSR=1 in alarm condition)
rEV = Reverse action (Relay energized or SSR=1 in non alarm condition)

A2SE Alarm 2 stand by (mask) function (Gr.6)

This parameter is available only when OUT 2 is configured as alarm 2 output ("O2.Fn" configuration parameter = "ALr.2")

Range: OFF = Stand-by function disabled
On = Stand-by function enabled

NOTES:

- 1) If the alarm is programmed as band or deviation alarm, this function masks the alarm condition after a set point change or at the instrument start-up until process variable reaches the alarm threshold plus or minus hysteresis. If the alarm is programmed as a process alarm, this function masks the alarm condition at instrument start-up until process variable reaches the alarm threshold plus or minus hysteresis.
- 2) The change from On to OFF has immediate effect, while the change from OFF to On has effect at the next start up or set point change.

LbAcn Loop break alarm configuration (Gr.6)

This parameter is available only when the LBA is configured ("L.b.AL" configuration parameter is different from "nonE")

Range: A. = Alarm with automatic reset.
A.Ac = Alarm with automatic reset and acknowledge.
L. = Alarm with manual reset

LbARC Loop break alarm action (Gr.6)

This parameter is available only when the LBA is configured ("L.b.AL" configuration parameter is different from "nonE")

Range: dir = direct action (Relay energized or SSR=1 in alarm condition).
rEV = Reverse action (Relay energized or SSR=1 in non alarm condition).

NOTE: if the LBA is ored with AL1 or AL2, this parameter can be monitored only but not modified. The action type will be the same as selected for AL1 or AL2.

dFFGG Group 6 default data loading

Range: OFF = No loading data
ON = loading data

Run time group dF

DEFAULT RUN TIME PARAMETERS LOADING

Gr.dF

Available if SMART function is disabled.

dFLL Default run time parameters loading

Range: OFF = No loading data
ON = loading data

Run time group Hidden

HIDDEN PARAMETERS - SMART LIMITS

Gr.Hd

This group is not normally accessible scrolling through the run time parameter groups.

It is possible to enter in this group from every group (when Gr.1 or Gr.2 etc. is displayed), by keeping depressed the ▼ + FUNC keys for 4 seconds.

Pb.Lo

Minimum value of proportional band calculated by SMART algorithm (Gr.Hd)

This parameter is available only when SMART function is configured ("Sñ.Fn" configuration parameter is equal to "Enb").

Range: From 2.0% to "Pb.Hi".

NOTE: The "Pb.Lo" resolution will be equal to 0.1% up to 10.0% and 1% up to 100.0%.

Pb.Hi

Maximum value of proportional band calculated by SMART algorithm (Gr.Hd)

This parameter is available only when SMART function is configured ("Sñ.Fn" configuration parameter is equal to "Enb").

Range: from "Pb.Lo" to 100.0%

NOTE: The "Pb.Hi" resolution will be equal to 0.1% up to 10.0% and 1% up to 100.0%.

ti.Lo

Minimum value of integral time calculated by SMART algorithm. (Gr.Hd)

This parameter is available only when SMART function is configured ("Sñ.Fn" configuration parameter is equal to "Enb").

Range: from 00.01 mm.ss to "ti.Hi".

ti.Hi

Maximum value of integral time calculated by SMART algorithm (Gr.Hd)

This parameter is available only when SMART function is configured ("Sñ.Fn" configuration parameter is equal to "Enb").

Range: from "ti.Lo" to 20.00 mm.ss

r.Gn

Relative gain of the secondary output calculated by SMART algorithm (Gr.Hd)

This parameter is available only when SMART function is configured ("Sñ.Fn" configuration parameter is equal to "Enb") and the secondary control output is configured.

Range: OFF = Smart algorithm does not calculate "r.Gn" value.

ON = Smart algorithm calculates "r.Gn" value.

DFCH

Hidden group default data loading (Gr.Hd)

Range: OFF = No loading data

ON = loading data

OUTPUT POWER OFF FUNCTION

This function allows to disable the control output when the instrument is in "normal display mode" or when an "alternative display function" is shown.

In this open loop mode all control outputs will be in the OFF state and the alarms will be in non alarm condition, the instrument will function as an indicator, showing on the display the measured value.

It is possible to disable the control output by:

- pressing the REV key for more than 4 s or
 - setting to OFF the "Cntr" run time parameter Gr. 2
- During the output power off all the display functions (normal display mode and alternative functions of the display) are available but the display will show "OFF" if the control output value is required.

At power up, the control output will remain disabled if a power down is occurred.

It is possible to restore the control outputs by:

- pressing the REV key for more than 4 s or
- setting to ON the "Cntr" run time parameter Gr.2

When the control output is restored all the instrument functions will be activated as for a power up.

NOTE: if the run time parameter Gr. 2 (which encompasses the "Cntr" parameter) is software protected the REV pressure has no effect.

In this case the control output may be enabled or disabled by setting the "Cntr" parameter only.

SP - SP2 SELECTION

By setting the "SP.SL" (Set point selection) run time parameter it is possible to select the operating set point between SP and SP2.

The "SP.SL" parameter will be available only if the "AV.SP" (Set point available) configuration parameter is set to 2, otherwise will be available SP only.

DIRECT ACCESS TO THE SET POINT

When the device is in run time mode, it is possible to quickly modify the selected operative set point value. Pushing the ▲ or ▼ key for more than 2 s, the selected set point value will be displayed (the decimal point on the right of the least significant digit is lit) and it will start to change.

The new set point value will be operative since no key is depressed for more than 2 s, the previous indication will be displayed.

The direct access of the set point is disabled if all the run time parameter groups are protected.

LAMP TEST

When it is desired to verify the display efficiency, push the FUNC key for more than 4 s.

The instrument will turn ON, with a 50 % duty cycle, all the LEDs of the display (we define this function "LAMP TEST").

During the LAMP TEST the instrument continues to control the process.

No time out is applied to the LAMP TEST.

Push any key when it is desired to come back to the previous indication.

LOOP BREAK ALARM (LBA function)

The functioning principle of this alarm is based on the concept that, with a steady load and steady power output, the process rate of rise (deviation/time) is steady as well.

Thus, analyzing the process rate of rise of the limit conditions set by the following parameters:

"ñ.OLL" and "ñ.OLH" for heating or

"S.OLL" and "S.OLH" for cooling or

"ñ.OLL" and "S.OLH" for heating/cooling),

it is possible to estimate the two limits which define the correct process behavior.

The LBA function is automatically activated when the control algorithm requires the maximum or the minimum power.

If the process response is slower than the estimated limits, the instrument generates the "L.b.AL" (AL flashing) alarm indication in order to show that one or more element of the control loop is in fault condition.

It is possible to acknowledge the LBA alarm by setting "ñ.rst" (manual reset of alarm - Gr. 3 - run time parameter) to ON and then pushing the FUNC key; the indication displayed prior to the alarm condition will be shown again. The alarm acknowledgement status "L.b.AL" (with AL steady) may be displayed by pushing the FUNC key once, when the instrument is in normal display mode.

Deviation: from 0 to 500 units

Time: from 1 second to 40 minutes

Hysteresis: from 1% to 50 % of the power output

NOTES:

- 1) The LBA does not operate during the soft start.
- 2) When the instrument operates with the SMART function, the LBA may be operative.

SMART FUNCTION

It is used to automatically optimize the control action.

To enable the SMART function proceed as follows:

- 1) push the ▼ + FUNC keys until "Gr. 2" run time parameter group is shown.
- 2) push the FUNC key until "Sñrt" parameter is shown.
- 3) push ▲ or ▼ and set the "On" indication on the display;
- 4) push the FUNC key.

The ST LED is flashing during the first part of the SMART algorithm (TUNE), while it is steady lit during the second part (ADAPTIVE).

When the smart function is enabled, it is possible to display but not to modify the control parameters.

To disable the SMART function proceed as follows:

- 1) push the ▼ + FUNC keys until "Gr. 2" run time parameter group is shown.
- 2) push the FUNC key until "Sñrt" parameter is shown.
- 3) push ▲ or ▼ and set the "OFF" indication on the display;
- 4) push the FUNC key.

The ST LED will turn off.

The instrument maintains the current set of control parameters and it enables parameter modification.

NOTES:

- 1) the SMART function cannot be activated when: - the ON/OFF control is programmed (Pb=0);
- the control output is disabled;
- the SMART function is not configured.
- 2) The SMART enabling/disabling can be protected by safety key.

ERROR MESSAGES

OVERRANGE, UNDERRANGE AND SENSOR LEADS BREAK INDICATIONS

This instrument is capable to detect a fault on the process variable (OVERRANGE or UNDERRANGE or SENSOR LEADS BREAK).

When the process variable exceeds the full scale value programmed by the "f.In.t" parameter, an OVERRANGE condition occur and it will be shown on the display as follows:

A rectangular display box containing the number '0000' in a digital font.

When the process variable is lower than the initial scale value programmed by the "f.In.t" parameter, an UNDERRANGE condition occur and it will be shown on the display as follows:

A rectangular display box containing the number '-000' in a digital font.

In presence of an input out-of-range condition, the control outputs operate as follows:

- a) When the "SF.Cn" parameter is set to "Std.":
- a.1) An OVERRANGE is detected and
 - the instrument is set for one control output only, the output will be forced to 0 (if reverse action is programmed) or to 100% (if direct action is programmed).
 - the instrument is set for two control outputs, the "Main" output is forced to 0 and the "Secondary" output is forced to 100%.
 - a.2) An UNDERRANGE is detected and
 - the instrument is set for one output only, the output is forced to 100 % (if reverse action is programmed) or to 0 % (if direct action is programmed).
 - the instrument is set for two control outputs, the "Main" output is forced to 100% and the "Secondary" output is forced to 0.
- b) With the "SF.Cn" parameter set to "Ov.Un", when an overrange or an underrange condition is detected, the power output is forced to the safety value "SF.UL".

- c) When the "SF.Cn" parameter is set to "OvEr"
 - c.1) if an overrange condition is detected, the power output is forced to the safety value "SF.UL".
 - c.2) if an underrange condition is detected the instrument will operate as described at point a.2).
- d) When the "SF.Cn" parameter is set to "Undr"
 - d.1) if an underrange condition is detected, the power output is forced to the safety value "SF.UL".
 - d.2) if an overrange condition is detected the instrument will operate as described at point a.1).

This instrument is capable to detect the sensor leads break condition.

When the sensor leads break condition is detected, the instrument shows:

A rectangular display box containing the word 'OPEN' in a stylized, outlined font.

Note: On the linear input the leads break can be detected only for 12-60 mV range.

In addition, on RTD input a special test is provided to signal

A rectangular display box containing the word 'Short' in a stylized, outlined font.

when input resistance is less than 12 Ω (Short circuit sensor detection).

The instrument is also capable to detect a reference junction measurement error (E.502) and on the internal auto-zero (E.500).

When a fault condition different from overrange or underrange is detected, alarms and control output will operate as in presence of an overrange condition.

ERROR MESSAGES

At the end of the configuration parameters modification, the instrument checks the new parameter values. At instrument start up in run time mode, all the parameters are checked.

If an error is detected on a run time parameter group (for ex. group 5), the instrument will show:

A rectangular display box containing the text 'EGr5' in a stylized, outlined font.

If an error is detected on configuration parameters, the instrument will show:



The instrument resets itself automatically after a 6 s time out.

When one of these errors is detected, following the procedures described for standard parameter modification, achieve the group with the wrong parameter setting and correct it (every keystroke resets the time out. The time out is disabled when modify configuration parameters mode is enabled).

When the error is corrected push the "▼ + FUNC" keys until the instrument resets (if in run mode) or end the modify configuration parameters mode following the normal procedure.

Repeat the above described procedure if another error is shown.

The instrument is also capable to detect the following errors:

- E.100 Error during data saving in EAROM
 - E.120 Error on control parameters calculated by SMART when the control action was changed from PI to PID or viceversa.
 - E.130 Error during SMART, the algorithm is not able to calculate correctly the control parameters. The instrument will be forced to work as PI controller.
 - E.140 Error when control parameters calculated by SMART are out of range of the values set in the Hidden group.
- Note:** push any key to delete E.130 or E.140 indication.
- E.500 Error during auto-zero measurement
 - E.502 Error during reference junction measurement.
Note: this error may be generated by an ambient temperature higher than 70 °C (158 °F) or lower than -20 °C (-4°F).
 - E.510 Error during calibration procedure

When one of these errors is detected, contact your supplier.

GENERAL INFORMATIONS

GENERAL SPECIFICATIONS

Case: Polycarbonate brown transparent color.

Self-extinguishing degree: according to UL 746C.

Front protection - designed and tested for IP 65 and NEMA 4X for indoor locations (when panel gasket is installed). (Test were performed in accordance with CEI 70-1 and NEMA 250-1991 STD).

Weight: 90 g.

Power consumption: 2.5 Watts max.

Insulation: 2300 V rms according to EN 61010-1

Display updating time: 500 ms.

Sampling time: 250 ms for linear inputs
500 ms for TC and RTD inputs.

Accuracy: $\pm 0,2\%$ f.s.v. ± 1 digit @ 25 °C (77 °F) and nominal power supply voltage.

Common mode rejection: 120 dB @ 50/60 Hz.

Normal mode rejection: 60 dB @ 50/60 Hz.

Electromagnetic compatibility and safety requirements: This instrument is marked CE.

Therefore, it is conforming to council directives 89/336/EEC (reference harmonized standard EN 50081-2 for Emissions and EN-50082-2 for immunity) and to council directives 73/23/EEC and 93/68/EEC (reference harmonized standard EN 61010-1).

Installation category: II

Pollution degree: 2

Temperature drift: (CJ excluded)

< 200 ppm/°C of span for mV and TC ranges 3, 4, 5, 11, 12, 13.

< 250 ppm/°C of span for TC ranges 1, 2, 6, 7, 9, 10, 14, 15.

< 500 ppm/°C of span for RTD ranges.

Operative temperature: from 0 to 50 °C (+32 to 122 °F).

Storage temperature: -20 to +70 °C (-4 to 158 °F)

Humidity: from 20 % to 85% RH, non condensing.

Control output updating time:

- 250 ms when a linear input is selected

- 500 ms when a TC or RTD input is selected.

DEFAULT PARAMETERS

DEFAULT RUN TIME PARAMETERS

Run time group 1

PARAMETER	DEFAULT VALUE
SP.SL	= Main set point (O.SP)
SP	= Set point low limit (Gr. 5 - "rL")
SP2	= Set point low limit (Gr. 5 - "rL")

Run time group 3

PARAMETER	DEFAULT VALUE
n.rSt	= OFF
AL1	= Initial range value (for process alarm) = 0 (for deviation alarm)
bA1.L	= 0
bA1.h	= 0
AL2	= Initial range value (for process alarm) = 0 (for deviation alarm)
bA2.L	= 0
bA2.h	= 0
HSA1	= 1
HSA2	= 1

Run time group 4

PARAMETER	DEFAULT VALUE
Pb	= 4.0 % (if contol action type is PID) = 6.0 % (if contol action type is PI)
HYS	= 0.5 %
ti	= 4.00 m.ss (if contol action type is PID) = 6.00 m.ss (if contol action type is PI)
td	= 1.00 mm.ss
IP	= 50 (If only one control output is set) = 0 (If two control outputs are set).
r.Gn	= 1.00
OLAP	= 0
ArW	= 100
Cn.Ac	= rEV

Run time group 5

PARAMETER	DEFAULT VALUE
n.OLL	= 0%
n.OLH	= 100%
n.rnP	= Inf
nC.CY	= 15 s
S.OLL	= 0.0%
S.OLH	= 100.0%
S.rnP	= Inf
SC.CY	= 15 s
rL	= Initial range value
rH	= Final range value
Grd1	= Inf
Grd2	= Inf
tOL	= Inf

Run time group 6

PARAMETER	DEFAULT VALUE
A1.tP	= Proc
A1.Cn	= H.A.
A1.Ac	= rEV
A1.St	= OFF
A2.tP	= Proc
A2.Cn	= H.A.
A2.Ac	= rEV
A2.St	= OFF
L.b.Cn	= A
L.b.Ac	= rEV

Run time group Hd

PARAMETER	DEFAULT VALUE
Pb.Lo	= 2.0%
Pb.Hi	= 100.0%
ti.Lo	= 00.01 mm.ss
ti.Hi	= 20.00 mm.ss

DEFAULT CONFIGURATION PARAMETERS

TABLE 1 (European)

PARAMETER	VALUE	NOTES
ñ.In.t	3	TC K with °C
ñ.In.d	—.	(No decimal figure)
ñ.In.L	- 100	°C
ñ.In.H	1370	°C
OFS.t	0	°C
In.FL	nonE	(No filter)
O1.Fn	ñAin	
O2.Fn	ALr.2	
Sñ.Fn	Enb	
Cn.t.P	P.I.D	
SF.Cn	Std	
SF.VL	0	
SS.th	-100	°C
L.b.AL	nonE	
L.b.th	100	°C
L.b.tñ	10.00	
L.b.HS	10	
SP.dS	OP.SP	
AV.SP	1	
t1.ou	10	sec.
t2.ou	10	sec.
S.run	0	(no protection)
Pr.Gr	1	
S.CnF	0	(no protection)

TABLE 2 (American)

PARAMETER	VALUE	NOTES
ñ.In.t	11	TC K with °F
ñ.In.d	—.	(No decimal figure)
ñ.In.L	- 150	°F
ñ.In.H	2500	°F
OFS.t	0	°F
In.FL	nonE	(No filter)
O1.Fn	ñAin	
O2.Fn	ALr.2	
Sñ.Fn	Enb	
Cn.t.P	P.I.D	
SF.Cn	Std	
SF.VL	0	
SS.th	-150	°F
L.b.AL	nonE	
L.b.th	180	°F
L.b.tñ	10.00	
L.b.HS	10	
SP.dS	OP.SP	
AV.SP	1	
t1.ou	10	sec.
t2.ou	10	sec.
S.run	0	(no protection)
Pr.Gr	1	
S.CnF	0	(no protection)

SECURITY CODES

In this page it is possible to fill out the configuration and the run time security codes of the instrument.

If it is desired to keep the codes secret, cut this page along the dotted line.

The master key (passepartout) allows to enter in modify configuration parameters mode if any other configuration security code is set or if the configuration parameters are always protected (S.CnF = 1).

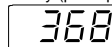
Tag name

Run time security code

Tag number

Configuration security code

Master key (passepartout)



R2300

GOSSEN
METRAWATT
CAMILLE BAUER

HOW TO ORDER

MODEL:
R2300= 1/32 DIN

INPUT:
6 = TC, RTD, mV

OUTPUT 1 AND 2:
11 = Two relay outputs
61 = One relay output + one SSR output
66 = Two SSR outputs.

POWER SUPPLY:
3 = 100/240V AC
5 = 24V AC/DC

R2300 6 0 0 0 0 0

Gedruckt in Deutschland • Änderungen vorbehalten

GOSEN-METRAWATT GMBH
Thomas-Mann-Str. 16-20
D-90471 Nürnberg
Telefon +49 911 8602-0
Telefax +49 911 8602-669
e-mail: info@gmc-instruments.com
<http://www.gmc-instruments.com>



GOSEN
METRAWATT
CAMILLE BAUER